

EELE 217 Spring 2012

Assigned Tuesday, February 28, 2012

Due at the start of class on Thursday, March 8, 2012

A large, rectangular lecture room has floor dimensions 20m wide x 60m long, and a floor-to-ceiling height of 15m. A balcony attached to the middle of the back wall extends 15m into the room. The balcony is 3m thick.

Use the following surface types to calculate estimated reverb time for this room:

- The entire main floor area and top of the balcony is assumed to be Occupied audience, orchestra, chorus.
- The two side walls and the balcony front and underside are constructed of Wooden walls, 2 in. material.
- The ceiling is Acoustic tile on rigid surface.
- The back wall above and below the balcony is Glass, heavy plate.
- The front of the hall is Concrete block, painted.

a) Using the absorptivity data from the table and the Sabine equation, determine an estimate for the reverberation time (T_{60}) for the room at THREE FREQUENCIES: 125 Hz, 500 Hz, and 4 kHz.

$$T_{60} = \frac{0.161V}{\sum_i S_i a_i}$$

V = total volume in m^3

S_i = area of surface i in m^2

a_i = absorptivity of surface i

Be careful to calculate the volume of the room *subtracting* the volume occupied by the balcony. Similarly, be careful to calculate the wall surface areas taking into account the balcony.

b) Determine r_d , the critical distance for this room, using the total absorption at 500 Hz.

$$r_d = \frac{1}{4} \sqrt{\frac{\sum_i S_i a_i}{\pi}}$$

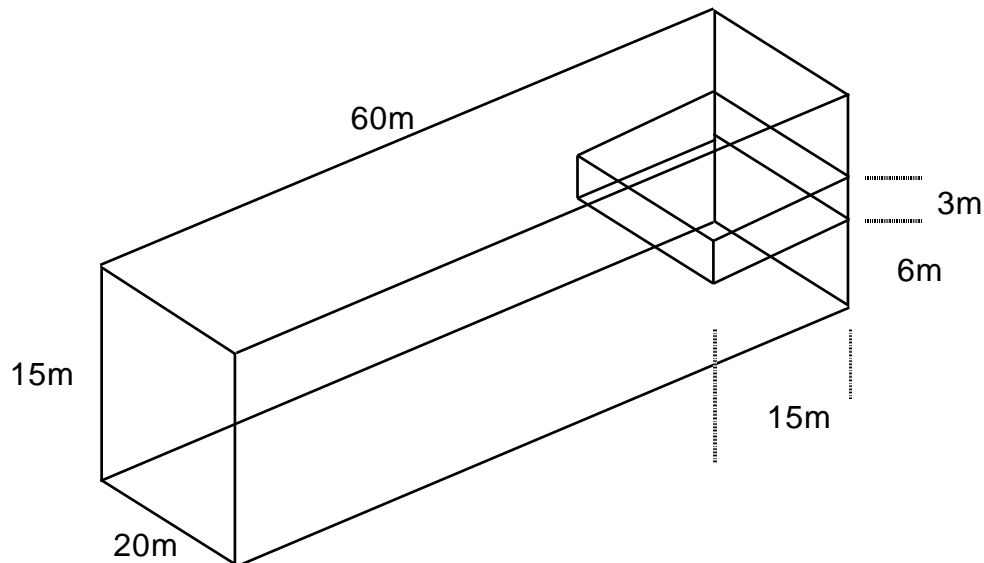


Table 12.5.1 Representative Sabine absorptivities and absorptions

<i>Description</i>	<i>Frequency (Hz)</i>					
	125	250	500	1000	2000	4000
	<i>Sabine Absorptivity a</i>					
Occupied audience, orchestra, chorus	0.40	0.55	0.80	0.95	0.90	0.85
Upholstered seats, cloth-covered, perforated bottoms	0.20	0.35	0.55	0.65	0.60	0.60
Upholstered seats, leather-covered	0.15	0.25	0.35	0.40	0.35	0.35
Carpet, heavy on undercarpet (1.35 kg/m ² felt or foam rubber)	0.08	0.25	0.55	0.70	0.70	0.75
Carpet, heavy on concrete	0.02	0.06	0.14	0.35	0.60	0.65
Acoustic plaster (approximate)	0.07	0.17	0.40	0.55	0.65	0.65
Acoustic tile on rigid surface	0.10	0.25	0.55	0.65	0.65	0.60
Acoustic tile, suspended (false ceiling)	0.40	0.50	0.60	0.75	0.70	0.60
Curtains, 0.48 kg/m ² velour, draped to half area	0.07	0.30	0.50	0.75	0.70	0.60
Wooden platform with airspace	0.40	0.30	0.20	0.17	0.15	0.10
Wood paneling, 3/8–1/2 in. over 2–4 in. airspace	0.30	0.25	0.20	0.17	0.15	0.10
Plywood, 1/4 in. on studs, fiberglass backing	0.60	0.30	0.10	0.09	0.09	0.09
Wooden walls, 2 in.	0.14	0.10	0.07	0.05	0.05	0.05
Floor, wooden	0.15	0.11	0.10	0.07	0.06	0.07
Floor, linoleum, flexible tile, on concrete	0.02	0.03	0.03	0.03	0.03	0.02
Floor, linoleum, flexible tile, on subfloor	0.02	0.04	0.05	0.05	0.10	0.05
Floor, terrazzo	0.01	0.01	0.02	0.02	0.02	0.02
Concrete (poured, unpainted)	0.01	0.01	0.02	0.02	0.02	0.02
Gypsum, 1/2 in. on studs	0.30	0.10	0.05	0.04	0.07	0.09
Plaster, smooth on lath	0.14	0.10	0.06	0.04	0.04	0.03
Plaster, smooth on lath on studs	0.30	0.15	0.10	0.05	0.04	0.05
Plaster, 1 in. damped on concrete block, brick, lath	0.14	0.10	0.07	0.05	0.05	0.05
Glass, heavy plate	0.18	0.06	0.04	0.03	0.02	0.02
Glass, windowpane	0.35	0.25	0.18	0.12	0.07	0.04
Brick, unglazed, no paint	0.03	0.03	0.03	0.04	0.05	0.07
Brick, smooth plaster finish	0.01	0.02	0.02	0.03	0.04	0.05
Concrete block, no paint	0.35	0.45	0.30	0.30	0.40	0.25
Concrete block, painted	0.10	0.05	0.06	0.07	0.09	0.08
Concrete block, smooth plaster finish	0.12	0.09	0.07	0.05	0.05	0.04
Concrete block, slotted two-well	0.10	0.90	0.50	0.45	0.45	0.40
Perforated panel over isolation blanket, 10% open area	0.20	0.90	0.90	0.90	0.85	0.85
Fiberglass, 1 in. on rigid backing	0.08	0.25	0.45	0.75	0.75	0.65
Fiberglass, 2 in. on rigid backing	0.21	0.50	0.75	0.90	0.85	0.80
Fiberglass, 2 in. on rigid backing, 1 in. airspace	0.35	0.65	0.80	0.90	0.85	0.80
Fiberglass, 4 in. on rigid backing	0.45	0.90	0.95	1.00	0.95	0.85
	<i>Sound Absorption A in m²</i>					
Single person or heavily upholstered seat (± 0.10 m ²)	0.40	0.70	0.85	0.95	0.90	0.80
Wooden chair, table, furnishing, for one person	0.02	0.03	0.05	0.08	0.08	0.05